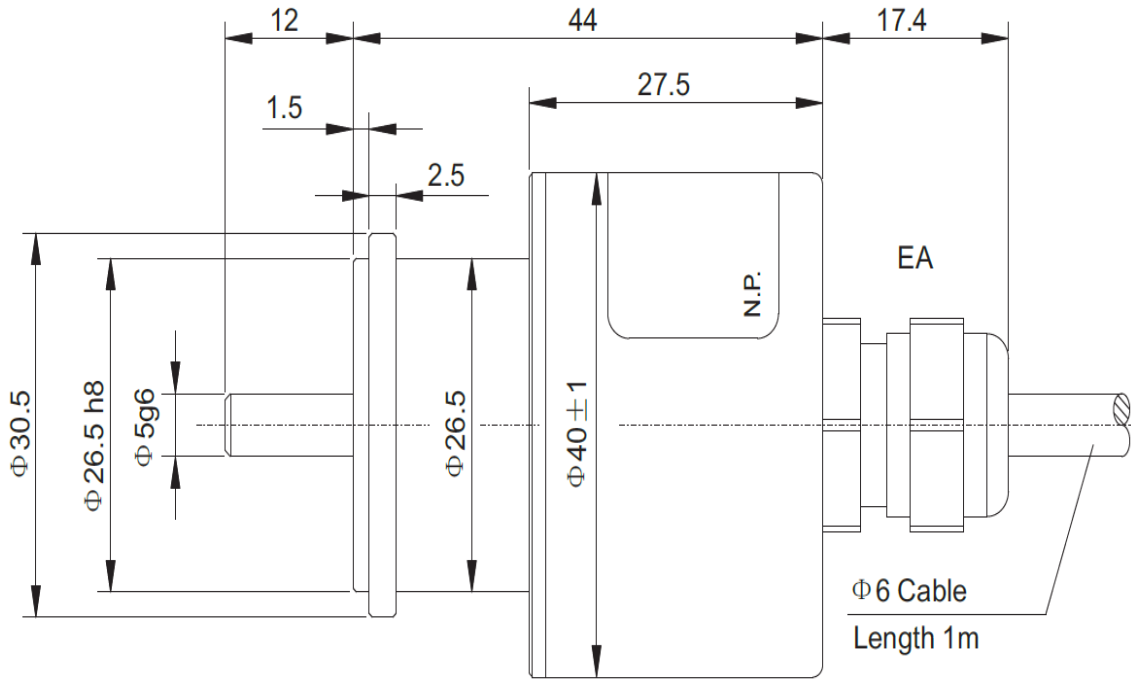


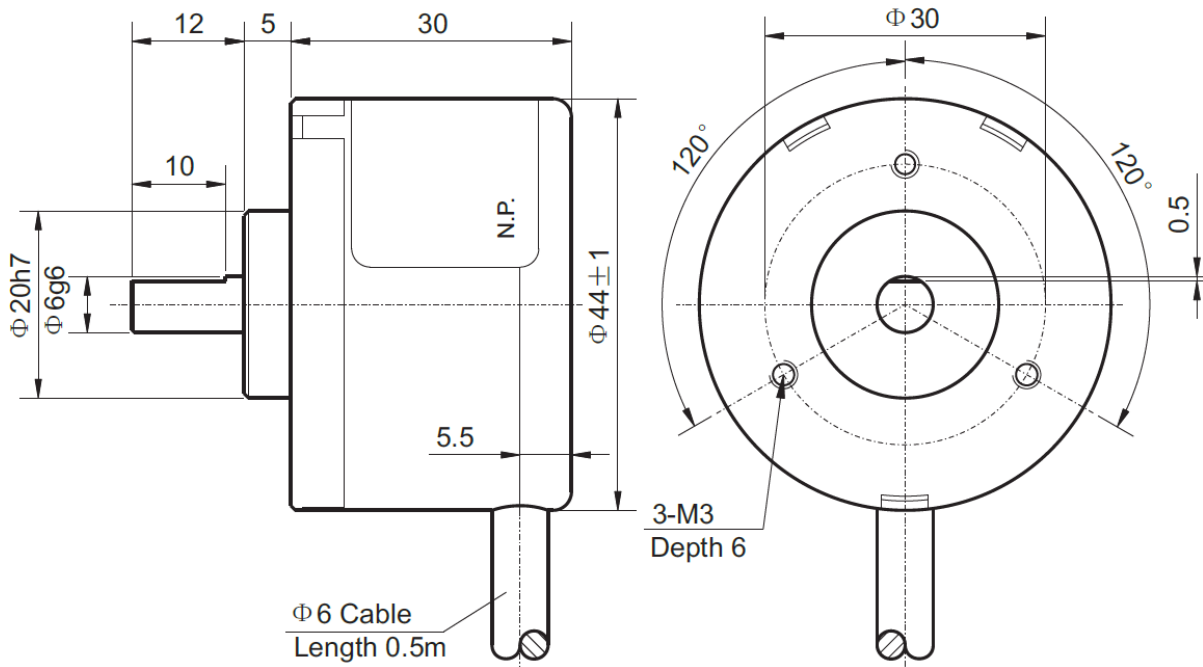


### Dimension drawing

Series RN40-MF:

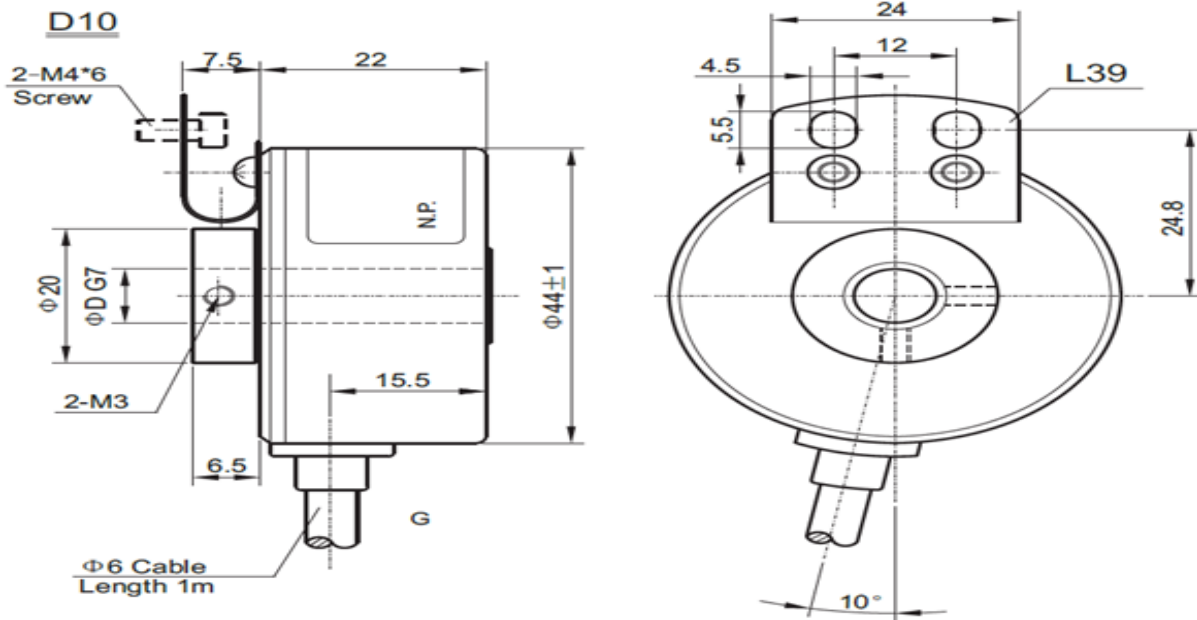


Series RN44A:

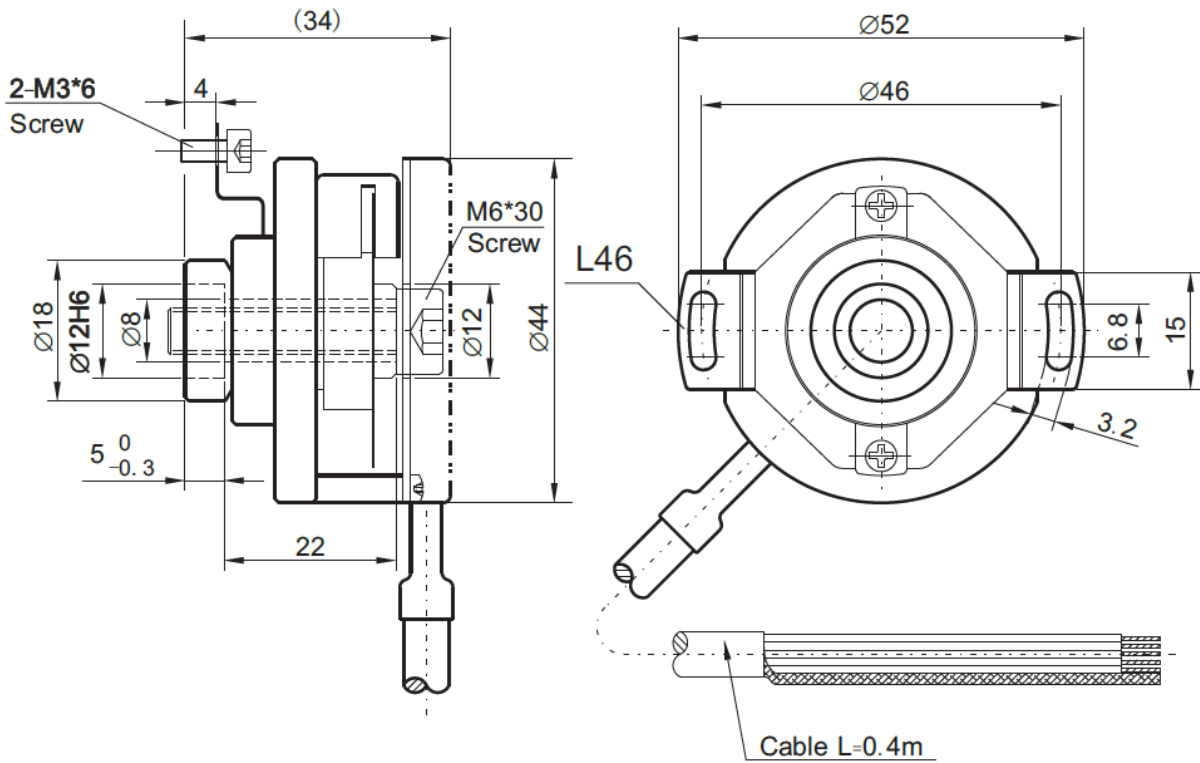


### Dimension drawing:

#### Series RN44B:



#### Series RN44C:



### Order Reference:

	1	2	3	4	5	6	7	8
<b>1. Spec. and series</b>	RN40MF - RN44A - RN44B - RN44C -	XXX	XX	X	X	X	XXXXX	XX
<b>2. Shaft diameter</b>								
005 Solid shaft Ø5mm		005						
006 Solid shaft/through-hole Ø6mm		006						
008 Solid shaft/through-hole Ø8mm		008						
010 Solid shaft/through-hole Ø10mm		010						
012 Through-hole Ø12mm		012						
<b>3. Connection type</b>								
A1 Cable Ø7mm, 8x2x0.14mm <sup>2</sup> , 1m			A1					
AC Connector 8 pins			AC					
AB Connector M23			AB					
<b>4. Connection position</b>								
A Axial				A				
R Radial				R				
<b>5. Signal output</b>								
6 A+ B+ Z+ and A- B- Z-					6			
3 A B Z					3			
<b>6. Output circuit</b>								
T 10-30V, HTLpush-pull						T		
E 5V, TTLdriver						E		
F 5-30V, HTLpush-pull						F		
<b>7. Number of pulses:</b>								
10, 15, 50, 100, 120, 125, 200, 250, 256, 300, 360, 400, 500, 512, 600, 1000, 1024, 1200, 1250, 1500, 1800, 2000, 2048, 2500, 3000, 3600, 4000, 4096, 5000, 8192, 10000, 16000							01024	
<b>8. Special specifications</b>								ZZ