

Features and applications:

- Precise photoelectric sensor
- Solid shaft with max.diameter of Ø10mm
- Resolution max. 16000ppr.
- Shock and vibration resistant and high protection class up to IP68
- Flexible installation, widely applied in various automation industries, **Explosion-proof encoder**



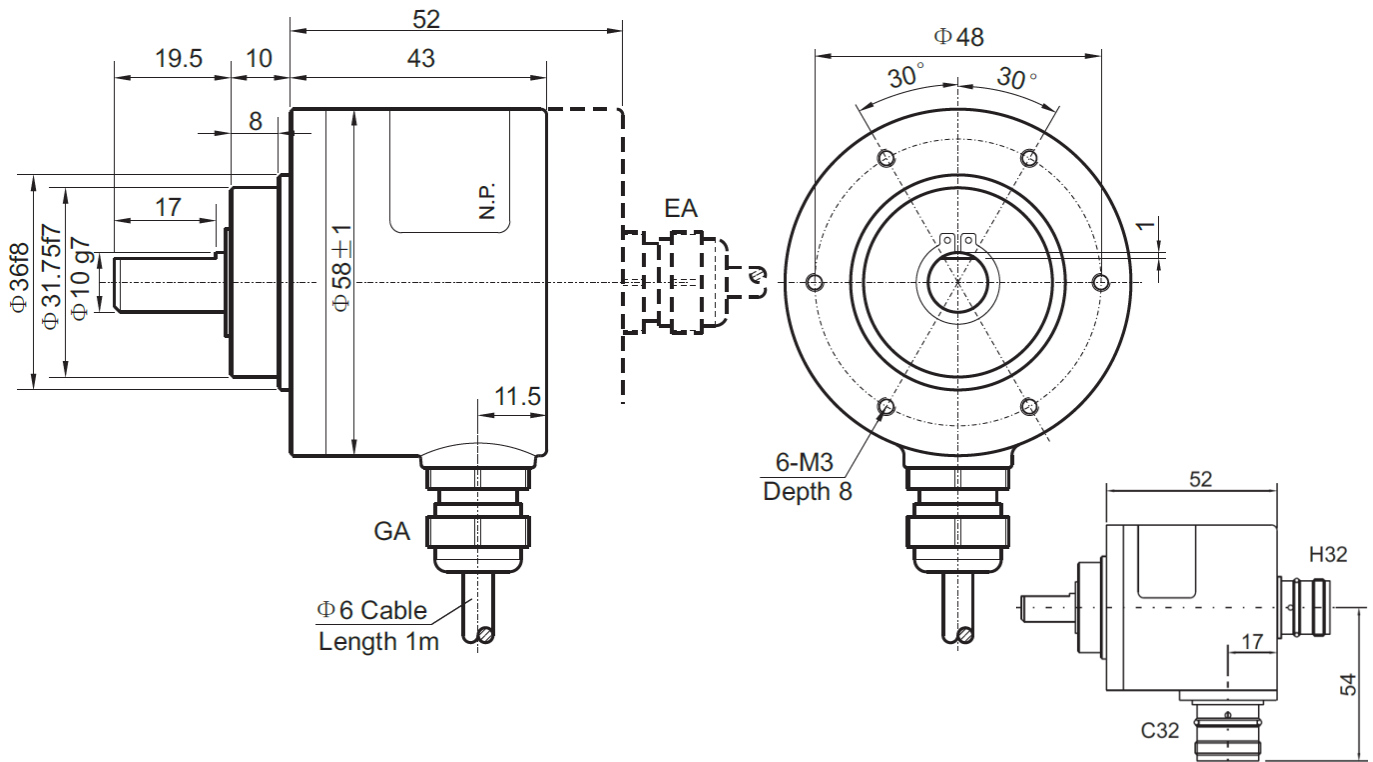
Model	SEH58	SEH58A	SEH58B	SEH58C
Housing diameter	Ø 58mm			
Shaft diameter	Solid shaft Ø 6/8/10 mm			
Working principle	Photo-electricity			
Power supply	5±0.25 Vdc or 10....30Vdc			
Output circuit	HTL/push-pull , TTL/RS422, Voltage output, Current output			
Output signal	A B , A B Z or A B Z + A/ B/ Z/			
Zero signal	Zsignal width1T (0.5T or 0.25T for optional)			
Current consumption	80mA, (HTL/TTL 150mA max.)			
Response frequency	100KHz, 125KHz , 150KHz, 250KHz , 300KHz			
Connection type	Cable or Connector			
Connection position	Axial / Radial			
Max. speed	6000 r/min			
Shaft load	Radial 40N, Axial 20N			
Protection class	IP65	IP65, IP68	IP65	IP65, IP66
Starting torque	3x10 ⁻² N.m Max.			
Operating temperature	-25°C....85°C (-40°C....100°C special made)			
Storage temperature	-35°C....100°C			
Shock resistance	1000 m/s ² , 6 ms			
Vibration resistance	100 m/s ² , 10....200Hz			
Resolution	Common pulse: 10, 15, 50, 100, 120, 125, 200, 250, 256, 300, 360, 400, 500, 512, 600, 1000, 1024, 1200, 1250, 1500, 1800, 2000, 2048, 2500, 3000, 3600, 4000, 4096, 5000, 8192, 10000, 16000			

Wiring table

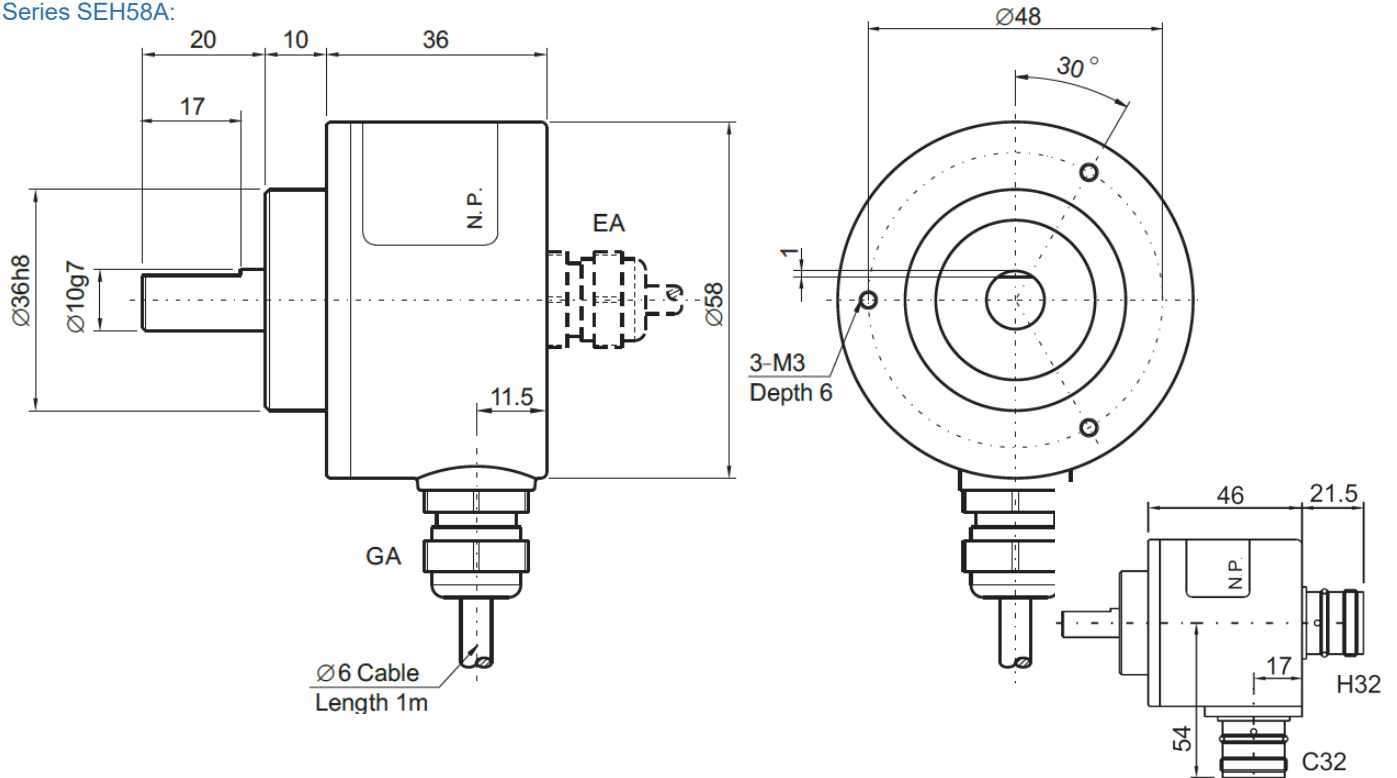
Color	White	Black	Red	Green	Yellow	Pink	Blue	Orange	Shield
Signal	Vcc	0V	A	B	Z	-	-	-	-1)
Signal	Vcc	0V	A	B	Z	A/	B/	Z/	-1)

Dimension drawing:

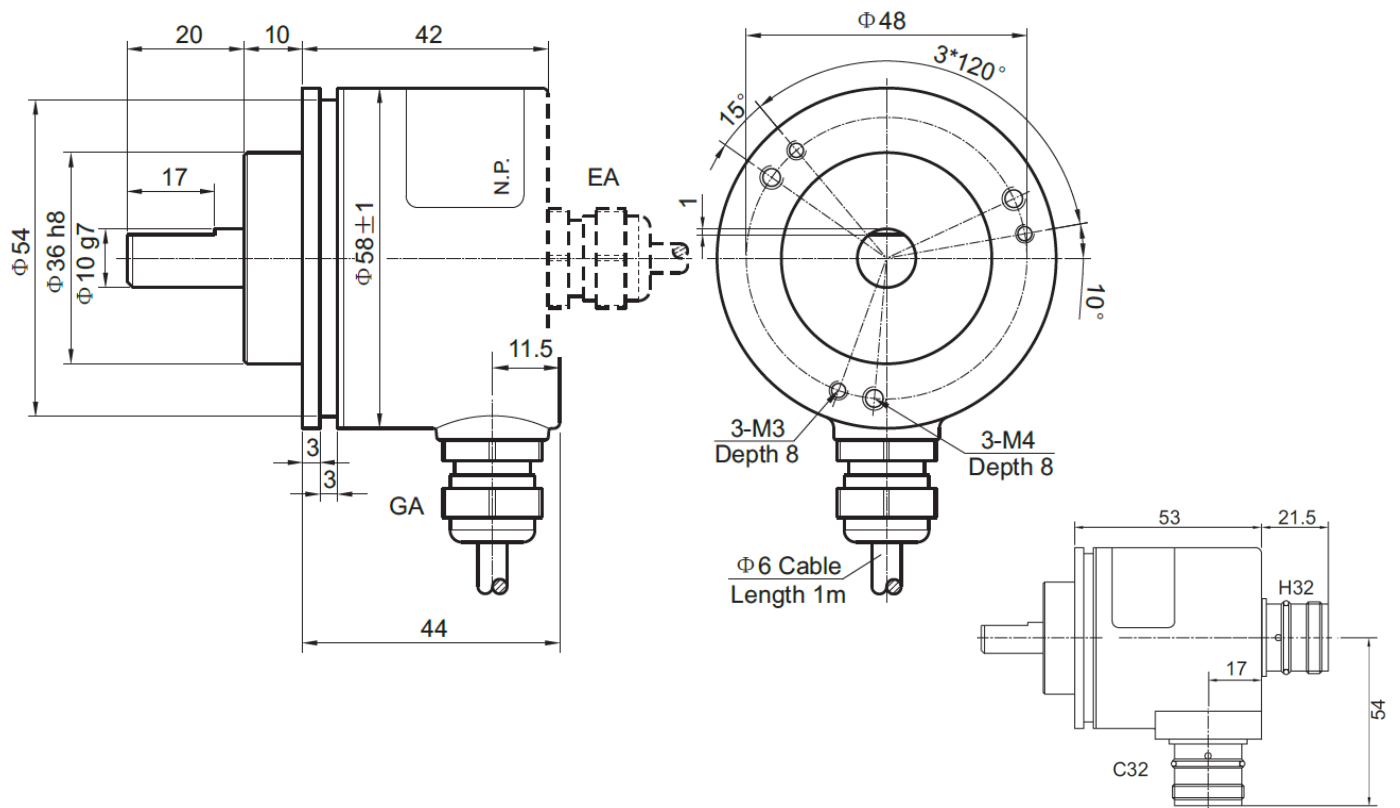
Series SEH58:



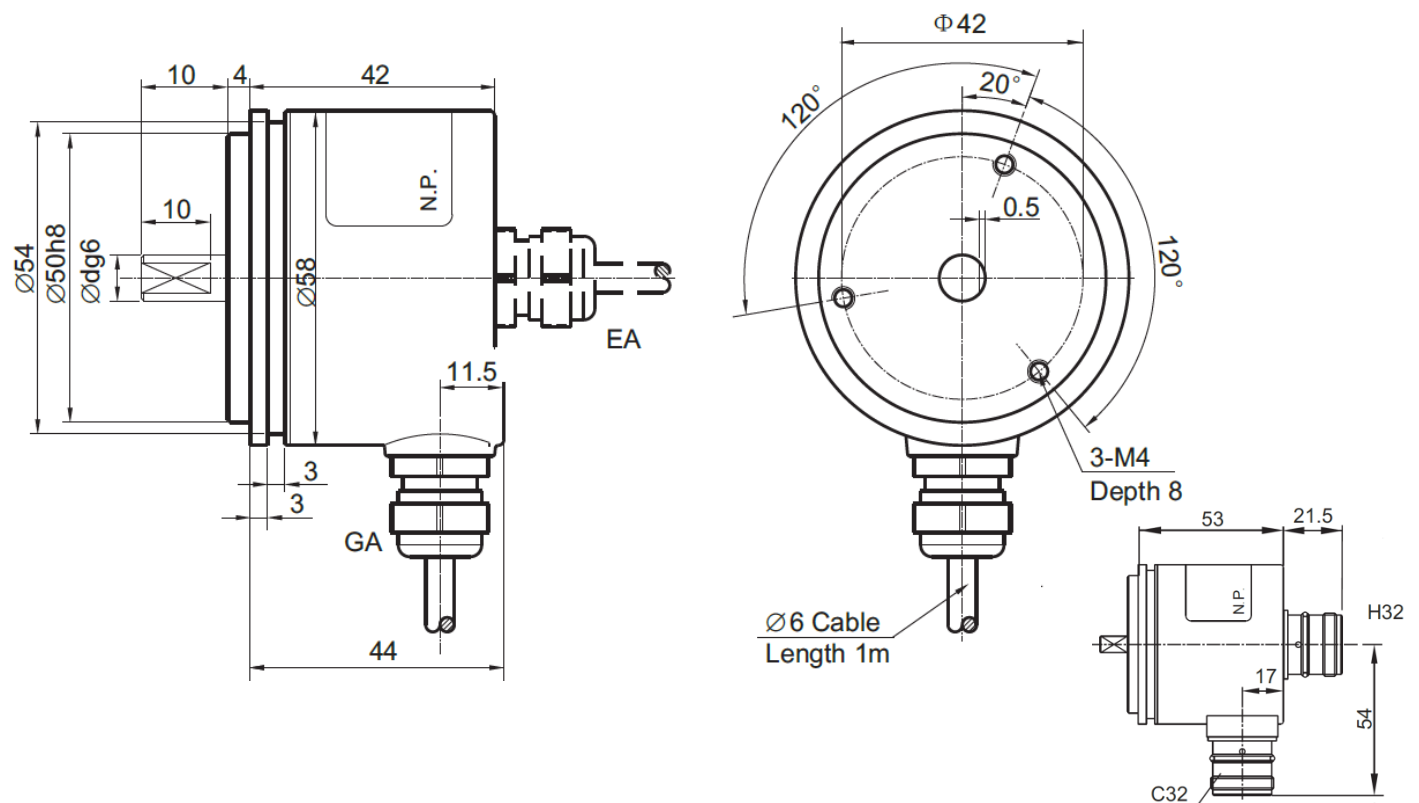
Series SEH58A:



Series SEH58B:



Series SEH58C:



Order Reference:

	1	2	3	4	5	6	7	8
1. Spec. and series	SEH58 -	XXX	XX	X	X	X	-XXXXX	-XX
	SEH58A -							
	SEH58B -							
	SEH58C -							
2. Shaft diameter								
006	Ø6mm	006						
008	Ø8mm	008						
010	Ø10mm	010						
7. Connection type								
A1	Cable Ø7mm, 8x2x0.14mm ² , 1m		A1					
AC	Connector 8 pins		AC					
AB	Connector M23		AB					
8. Connection position								
A	Axial		A					
R	Radial		R					
9. Signal output								
6	A+ B+ Z+ and A- B- Z-				6			
3	A B Z				3			
6. Output circuit								
T	10-30V, HTLpush-pull					T		
E	5V, TTLdriver output					E		
F	5-30V, HTLpush-pull					F		
7. Number of pulses:							01024	
	10, 15, 50, 100, 120, 125, 200, 250, 256, 300, 360, 400, 500, 512, 600, 1000, 1024, 1200, 1250, 1500, 1800, 2000, 2048, 2500, 3000, 3600, 4000, 4096, 5000, 8192, 10000, 16000							
8. EX explosion-proof								
EX	explosion-proof type encoder EX II 2G Ex ib IIB T4 Gb							EX