

### Features and applications

- Precise opto-electronic sensor
- Hollow shaft , Diameter can be flexibly customized
- Resolution Max. 8192ppr.
- Shock and vibration resistance
- Flexible installation , widely applied in various automation industries, **Explosion-proof available**



<b>Model</b>	RN58T	RN58N	RN58D	RN58F
<b>Housing diameter</b>	Ø 58mm			
<b>Shaft diameter</b>	Hollow Shaft Ø 8 /10 /12 /14 /15 mm			

<b>Working principle</b>	Opto-electronic
<b>Power supply</b>	5±0.25 Vdc or 10...30Vdc
<b>Output circuit</b>	HTL/push-pull ,TTL/RS422 , Voltage output, Current output
<b>Output signal</b>	A B , A B Z or A B Z + A/ B/ Z/
<b>Zero signal</b>	Zsignal width1T (0.5T or 0.25T for option)
<b>Current consumption</b>	80mA , (HTL/TTL 150mA max.)
<b>Response frequency</b>	100KHz , 125KHz , 150KHz , 250KHz , 300KHz

<b>Connection type</b>	Cable or Connector
<b>Connection position</b>	Radial

<b>Max. speed</b>	6000 r/min		
<b>Shaft load</b>	Radial 40N, Axial 20N		
<b>Protection class</b>	IP54 , IP65	IP65 , IP66	IP54 , IP65
<b>Starting torque</b>	3x10 <sup>-2</sup> N.m Max.		
<b>Operating temperature</b>	-25°C....85°C ( -40°C....100°C special make )		
<b>Storage temperature</b>	-35°C....100°C		
<b>Shock resistance</b>	1000 m/s <sup>2</sup> , 6 ms		
<b>Vibration resistance</b>	100 m/s <sup>2</sup> , 10....200Hz		

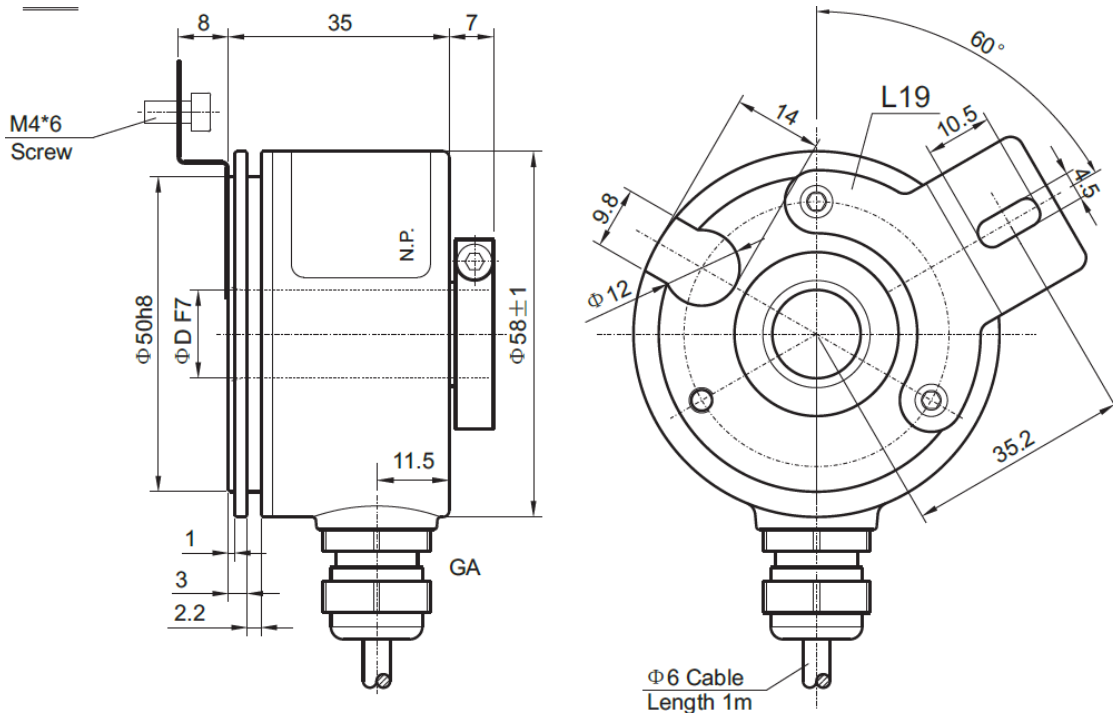
<b>Number of pulses</b>	Common pulse : 100 , 120 , 125 , 200 , 250 , 256 , 300 , 360 , 400 , 500 , 512 , 600 , 1000 , 1024 , 1200 , 1250 , 1500 , 1800 , 2000 , 2048 , 2500 , 3000 , 3600 , 4000 , 4096 , 5000 , 8192
-------------------------	---

### Wiring table

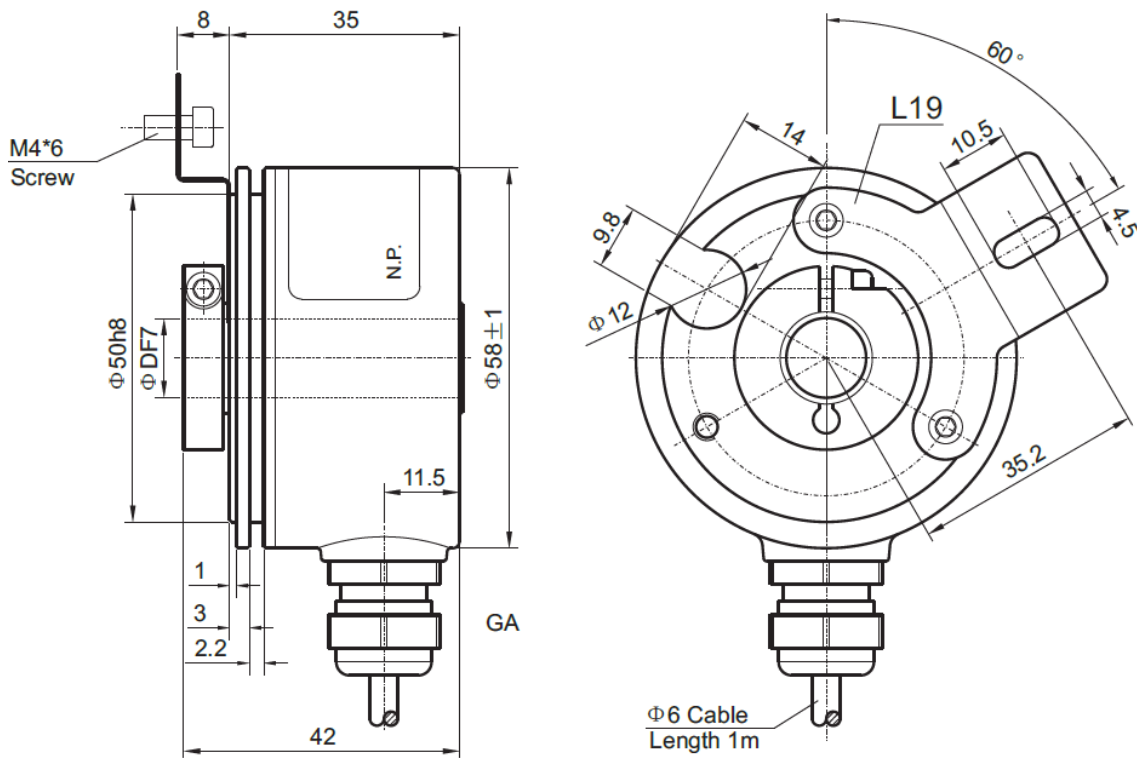
<b>Color</b>	White	Black	Red	Green	Yellow	Pink	Blue	Orange	Shield
<b>Signal</b>	<b>Vcc</b>	<b>0V</b>	<b>A</b>	<b>B</b>	<b>Z</b>	-	-	-	-1)
<b>Signal</b>	<b>Vcc</b>	<b>0V</b>	<b>A</b>	<b>B</b>	<b>Z</b>	<b>A/</b>	<b>B/</b>	<b>Z/</b>	-1)



### Series RN58D:



### Series RN58F:



### Order Reference

	1	2	3	4	5	6	7	8
<b>1. Spec. and series</b>	RN58T - RN58N - RN58D - RN58F -	XXX	XX	X	X	X	XXXXX	XX
<b>2. Shaft diameter</b>	006 Ø6mm 008 Ø8mm 010 Ø10mm 012 Ø12mm 14 Ø14mm 15 Ø15mm	006 008 010 012 014 015						
<b>3. Connection type</b>	A1 Cable Ø7mm, 8x2x0.14mm <sup>2</sup> , 1m AC Connector pins AB Connector M23		A1 AC AB					
<b>4. Connection position</b>	A Axial R Radial			A R				
<b>5. Signal output</b>	6 A+ B+ Z+ and A- B- Z- 3 A B Z				6 3			
<b>6. Output circuit</b>	T 10-30V, HTLpush-pull E 5V, TTLdriver F 5-30V, HTLpush-pull					T E F		
<b>7. Number of pulses:</b>							01024	
	10, 15, 50, 100, 120, 125, 200, 250, 256, 300, 360, 400, 500, 512, 600, 1000, 1024, 1200, 1250, 1500, 1800, 2000, 2048, 2500, 3000, 3600, 4000, 4096, 5000, 8192, 10000, 16000							
<b>8. EX explosion-proof</b>	EX explosion-proof type encoder EX II 2G Ex ib IIB T4 Gb							EX