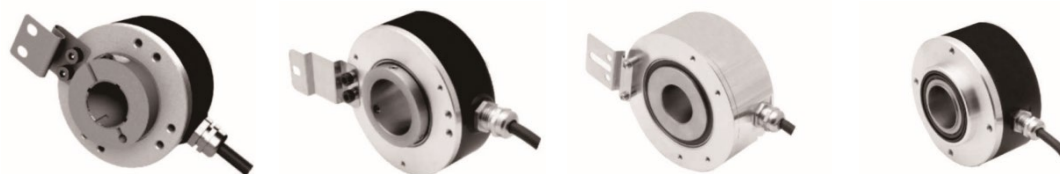


- Robust and Heavy-duty incremental encoder with max. shaft diameter of Ø45mm
- Through-hole encoder, Customization available
- Resolution Max. 8192 ppr.
- Excellent shock and vibration resistance
- Widely applied all industries, **Explosion-proof available**



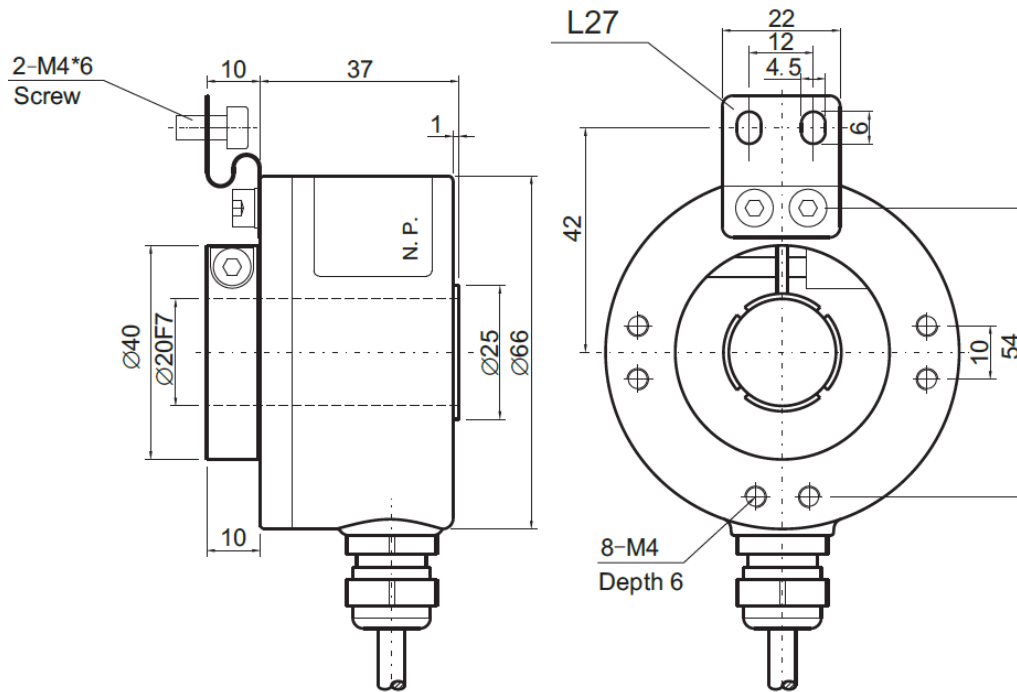
Model	SEH66H	SEH80H	SEH90N	SEH90H
Housing diameter	Ø 66mm	Ø 80mm	Ø 90mm	Ø 90mm
Shaft diameter	Through hole Ø 12, 15, 18, 20mm	Through hole Ø 20, 25, 28, 30mm	Through hole Ø 20, 25, 28, 30, 35, 38, 40, 45mm	
Working principle	Photo-electricity			
Power supply	5±0.25 Vdc or 10...30Vdc			
Output circuit	HTL/push-pull , TTL/RS422, Voltage output, Current output			
Output signal	A B , A B Z or A B Z + A/ B/ Z/			
Zero signal	Zsignal width1T (0.5T or 0.25T for option)			
Current consumption	80mA, (HTL/TTL 150mA max.)			
Response frequency	100KHz, 150KHz, 300KHz			
Connection type	Cable or Connector			
Connection position	Radial			
Max. speed	6000 r/min			
Shaft load	Radial 40N, Axial 20N			
Protection class	IP64	IP65	IP65, IP66	IP65, IP66
Starting torque	3x10 ⁻² N.m Max.			
Operating temperature	-25°C....85°C (-40°C....100°C special make)			
Storage temperature	-35°C....100°C	-35°C....80°C	-35°C....100°C	-35°C....100°C
Shock resistance	1000 m/s ² , 6 ms			
Vibration resistance	100 m/s ² , 10....200Hz			
Resolution	Common pulse: 100, 120, 125, 200, 250, 256, 300, 360, 400, 500, 512, 600, 1000, 1024, 1200, 1250, 1500, 1800, 2000, 2048, 2500, 3000, 3600, 4000, 4096, 5000, 8192			

Wiring table

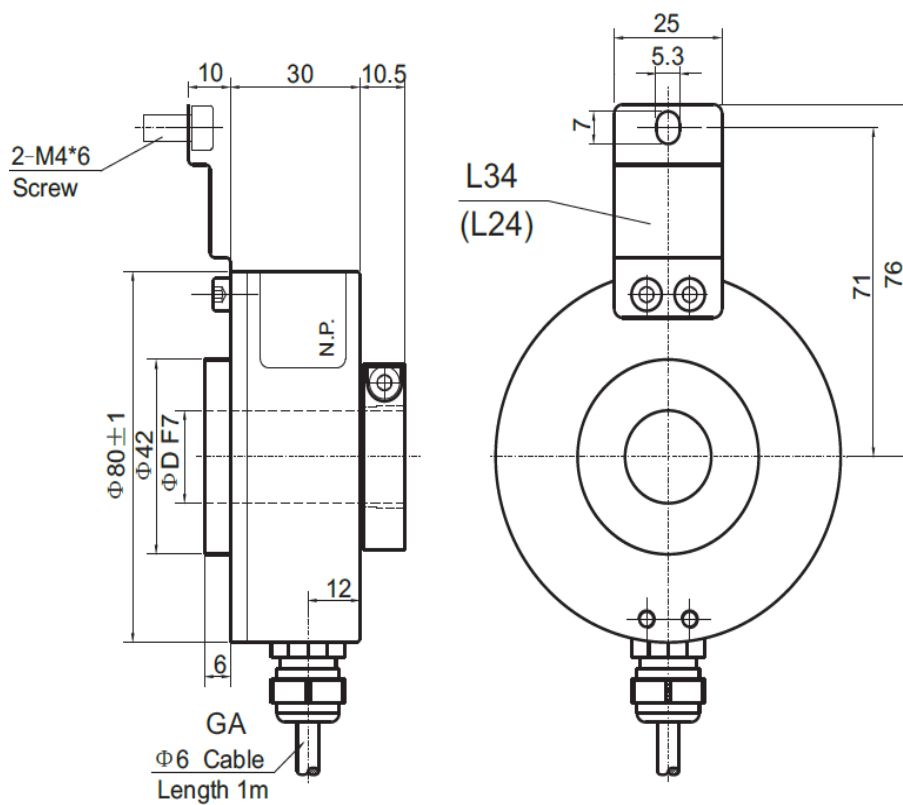
Color	White	Black	Red	Green	Yellow	Pink	Blue	Orange	Shield
Signal	Vcc	0V	A	B	Z	-	-	-	-1)
Signal	Vcc	0V	A	B	Z	A/	B/	Z/	-1)

Dimension drawing

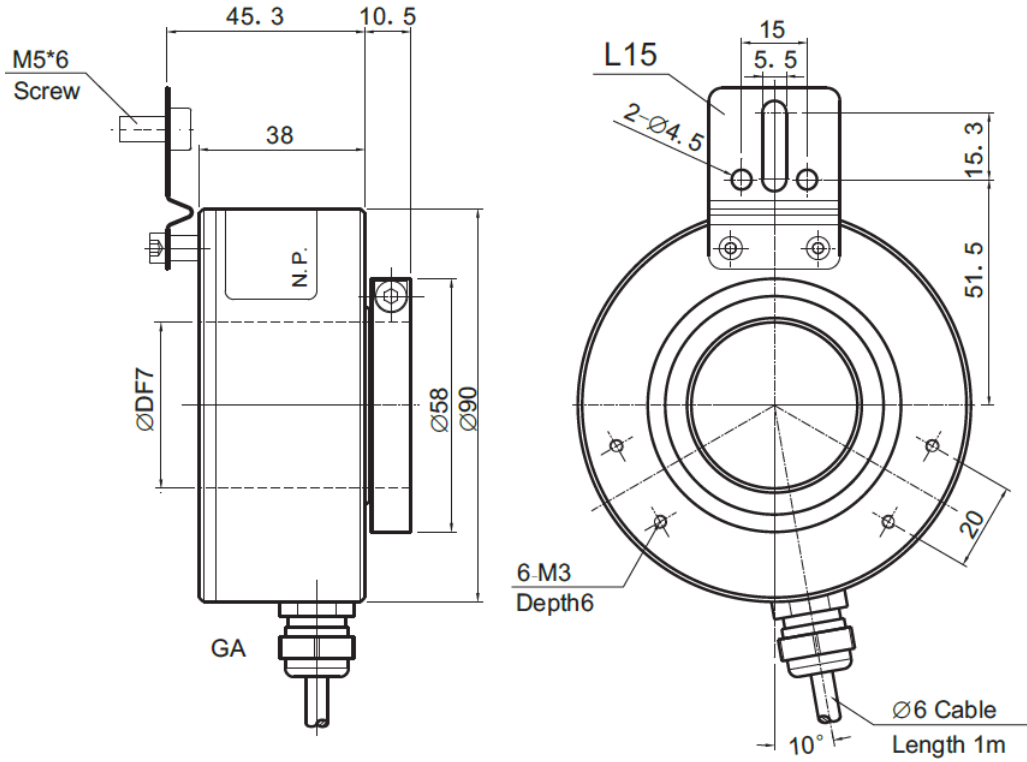
Series SEH66:



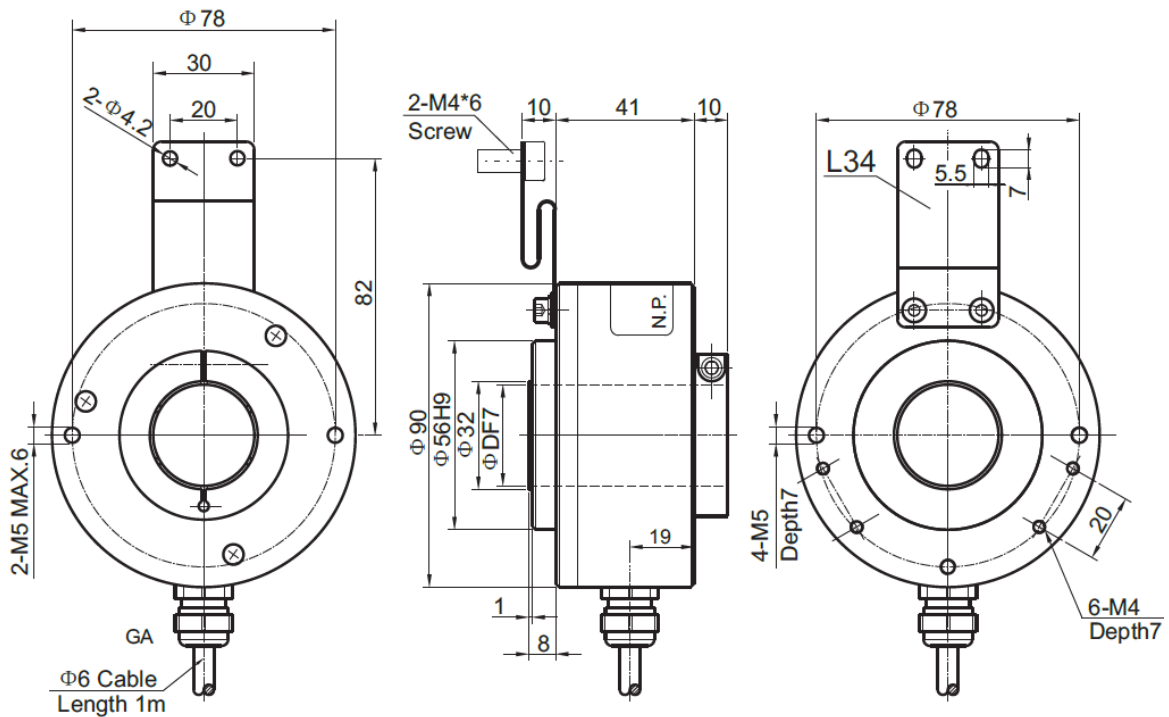
Series SEH80:



Series SEH90N:



Series SEH90H:



Order Reference:

	1	2	3	4	5	6	7	8
1. Spec. and series	SEH66H - SEH80H - SEH90N - SEH90H -	XXX	XX	X	X	X	XXXXX	XX
2. Shaft diameter								
012 Ø12mm	012							
015 Ø15mm	015							
018 Ø18mm	018							
020 Ø20mm	020							
025 Ø25mm	025							
028 Ø28mm	028							
030 Ø30mm	030							
035 Ø35mm	035							
038 Ø38mm	038							
040 Ø40mm	040							
045 Ø45mm	045							
3. Connection type			A1 AC AB					
A1 Cable Ø6mm, 8x2x0.14mm ² , 1m								
AC Connector								
AB Connector M23								
4. Connection position				R				
R Radial								
5. Signal output								
6 A+ B+ Z+ and A- B- Z-					6			
3 A B Z					3			
6. Output circuit								
T 10-30V, HTLpush-pull						T		
E 5V, TTLdriver						E		
F 5-30V, HTLpush-pull						F		
7. Number of pulses:							01024	
10, 15, 50, 100, 120, 125, 200, 250, 256, 300, 360, 400, 500, 512, 600, 1000, 1024, 1200, 1250, 1500, 1800, 2000, 2048, 2500, 3000, 3600, 4000, 4096, 5000, 8192								
8. EX explosion-proof								
EX explosion-proof type encoder EX II 2G Ex ib IIB T4 Gb								EX