

### Features and applications:

- Robust large incremental encoder with ma. hole diameter of Ø65mm
- Through-hole encoder, the diameter can be flexibly customized
- Resolution Max. 10000 ppr.
- Excellent Shock and vibration resistant, High protection class up to IP66
- Widely applied in all industries



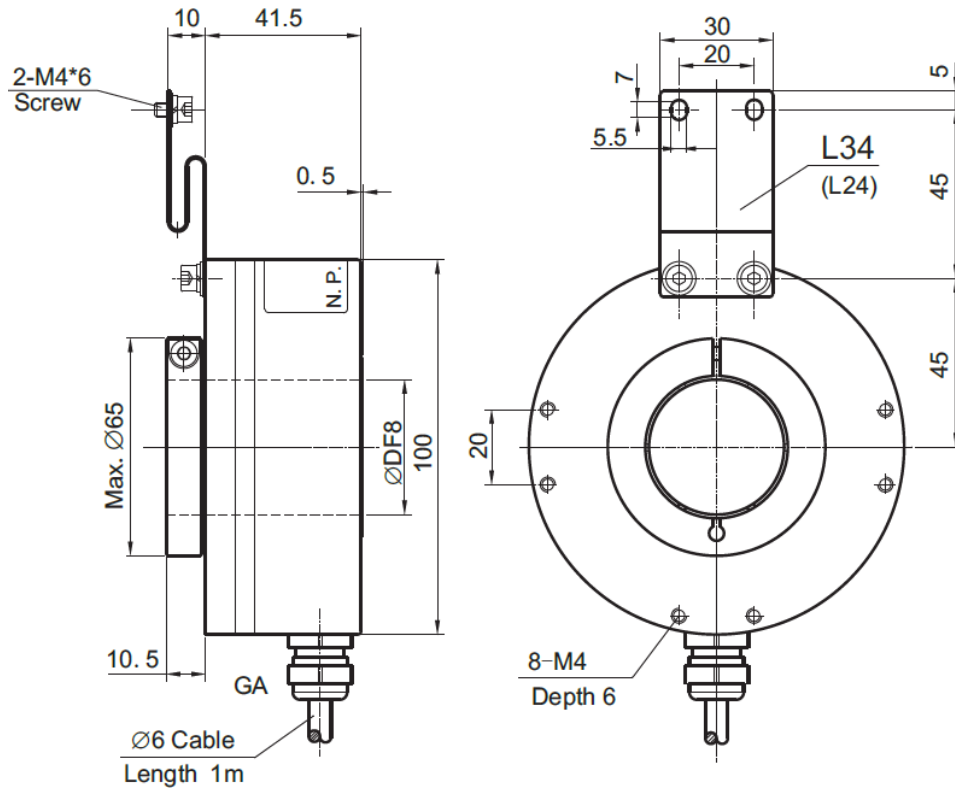
Model	SEH100	SEH100N	SEH120	SEH121
<b>Housing diameter</b>	Ø 100mm		Ø 120mm	
<b>Shaft diameter</b>	Through hole Ø 28, 30, 35, 38, 40, 42, 45, 48, 50, 55mm		Through hole Ø30, 38, 40, 42mm	Through hole Ø50, 55, 60, 65mm
<b>Working principle</b>	Photo-electricity			
<b>Power supply</b>	5±0.25 Vdc or 10....30Vdc			
<b>Output circuit</b>	HTL/push-pull , TTL/RS422, Voltage output, Current output			
<b>Output signal</b>	A B , A B Z or A B Z + A/ B/ Z/			
<b>Zero signal</b>	Zsignal width1T (0.5T or 0.25T for option)			
<b>Current consumption</b>	80mA, (HTL / TTL 150mA max.)			
<b>Response frequency</b>	100KHz, 150KHz, 300KHz			
<b>Connection method</b>	Cable or Connector			
<b>Outgoing method</b>	Radial			
<b>Max. speed</b>	3000r/min	2500r/min	3000r/min	2500r/min
<b>Shaft load</b>	Radial 40N, axial 20N	Radial 40N, axial 20N	Radial 200N, axial 100N	Radial 100N, axial 50N
<b>Protection class</b>	IP66	IP54	IP65	IP54, IP65
<b>Starting torque</b>	5x10 <sup>-2</sup> N.m Max. <sup>1)</sup>		8x10 <sup>-2</sup> N.m Max. <sup>1)</sup>	
<b>Operating temperature</b>	-25°C....80°C ( -40°C....100°C special make		-40°C....100°C	
<b>Storage temperature</b>	-35°C....100°C	-35°C....80°C	-40°C....100°C	-40°C....100°C
<b>Shock resistance</b>	1000 m/s <sup>2</sup> , 6 ms			
<b>Vibration resistance</b>	100 m/s <sup>2</sup> , 10....200Hz			
<b>Resolution</b>	Common pulse: 100, 125, 200, 256, 300, 360, 500, 512, 600, 1000, 1024, 1500, 2000, 2048, 2500, 3000, 3600, 4000, 4096, 5000, 8192, 90000, 10000(can be customized within 10000 pulses)			

### Wiring table

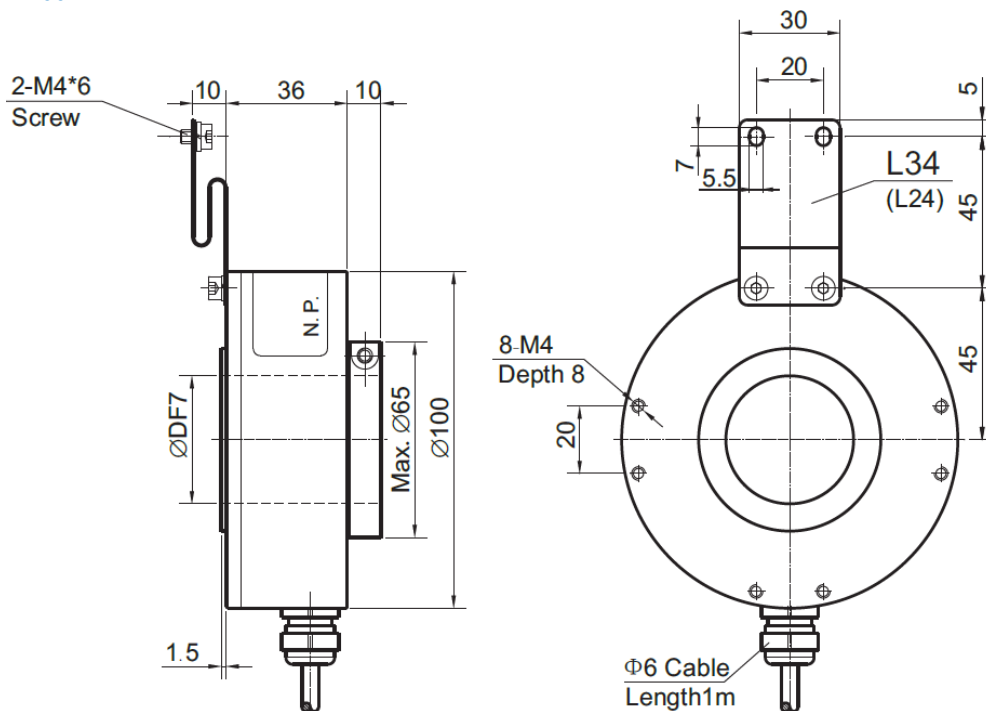
Color	White	Black	Red	Green	Yellow	Pink	Blue	Orange	Shield
<b>Signal</b>	Vcc	0V	A	B	Z	-	-	-	- <sup>1)</sup>
<b>Signal</b>	Vcc	0V	A	B	Z	A/	B/	Z/	- <sup>1)</sup>

### Dimension drawing

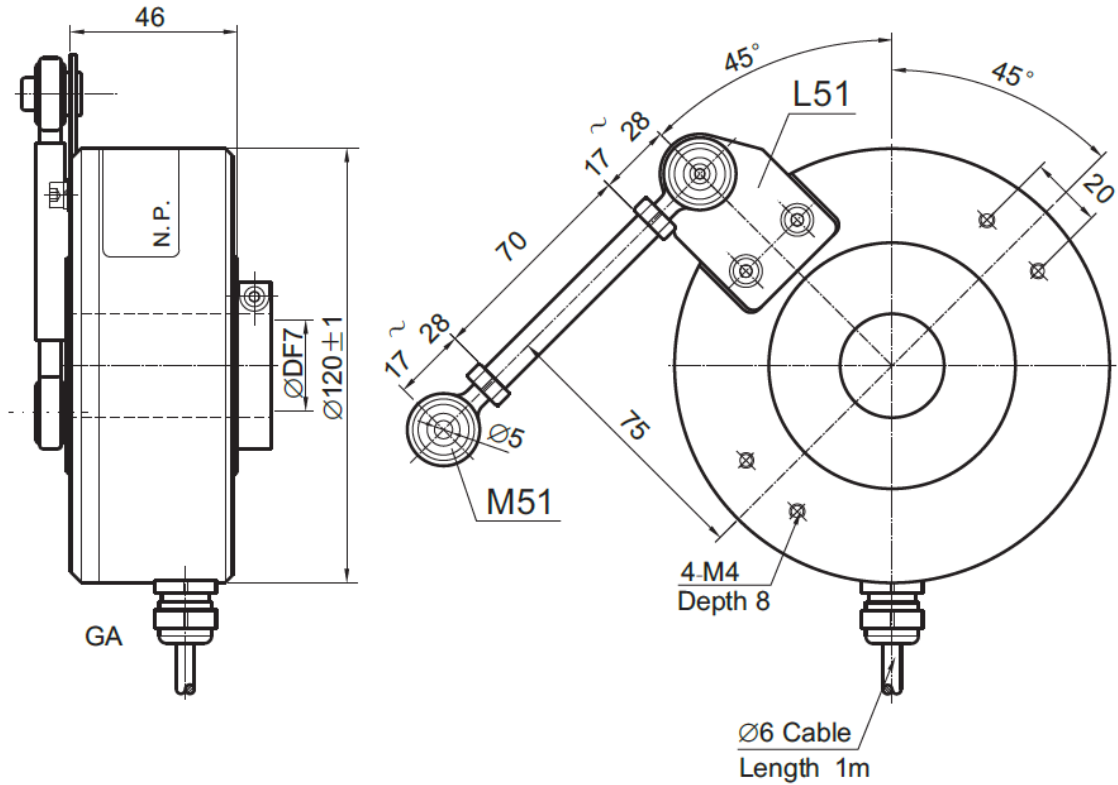
Series SEH100:



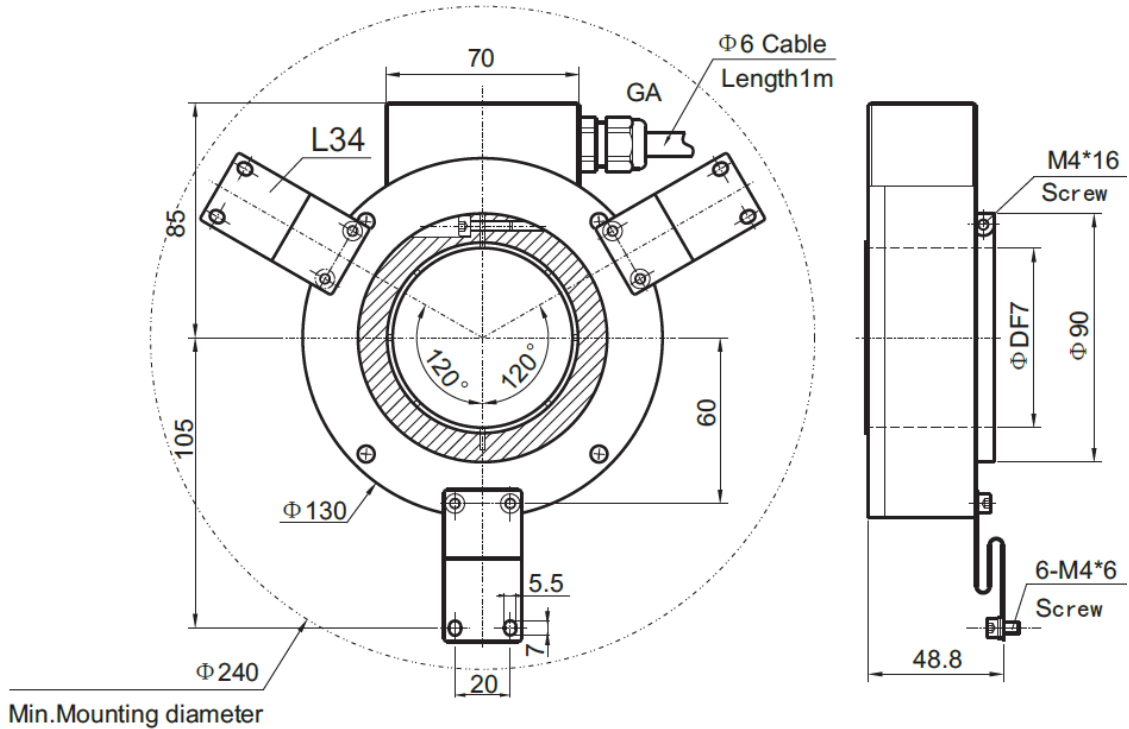
Series SEH100N:



#### Series SEH120:



#### Series SEH121:



### Order Reference:

	1	2	3	4	5	6	7	8
<b>1. Spec. and series</b>	SEH100 - SEH100N - SEH120 - SEH121 -	XXX	XX	X	X	X	XXXXX	XX
<b>2. Shaft diameter</b>								
028	Ø28mm	028						
030	Ø30mm	030						
035	Ø35mm	035						
038	Ø38mm	038						
040	Ø40mm	040						
042	Ø42mm	042						
045	Ø45mm	045						
048	Ø48mm	048						
050	Ø50mm	050						
055	Ø55mm	055						
060	Ø60mm	060						
065	Ø65mm	065						
<b>3. Connection type</b>								
A1	Cable Ø7mm, 8x2x0.14mm <sup>2</sup> , 1m		A1					
AC	Connector		AC					
AB	Connector M23		AB					
<b>4. Connection position</b>								
R	Radial			R				
<b>5. Signal output</b>								
6	A+ B+ Z+ and A- B- Z-				6			
3	A B Z				3			
<b>6. Output circuit</b>								
T	10-30V, HTLpush-pull					T		
E	5V, TTLdriver					E		
F	5-30V, HTLpush-pull					F		
<b>7. Number of pulses:</b>							01024	
	10, 15, 50, 100, 120, 125, 200, 250, 256, 300, 360, 400, 500, 512, 600, 1000, 1024, 1200, 1250, 1500, 1800, 2000, 2048, 2500, 3000, 3600, 4000, 4096, 5000, 8192, 10000, 16000							
<b>8. EX explosion-proof</b>								
	EX explosion-proof type encoder EX II 2G Ex ib IIB T4 Gb							EX