

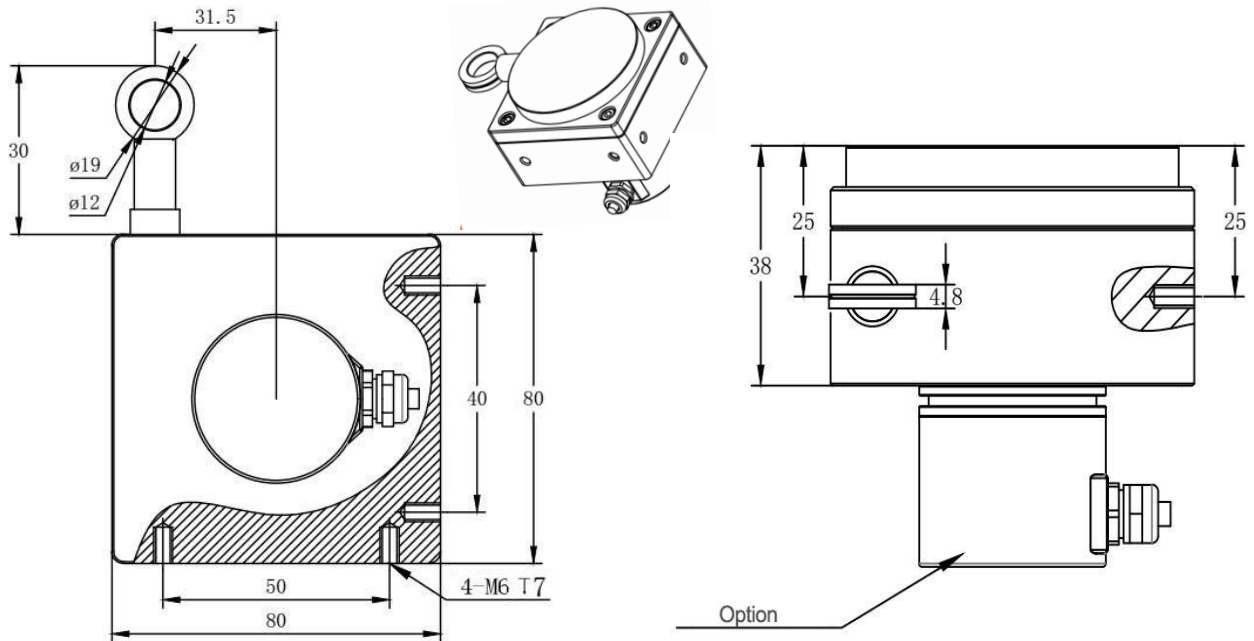
Features and applications:

- Measuring range 0~2000 mm
- Various interface for option
- Compact housing and flexible assembly
- High resolution
- Applied in harsh environments



Model	RNLS200
Measuring range	2000 mm
Limit range	2200 mm
Single turn length	200 mm
Cable diameter	0.6 mm / 0.8 mm / 1.0 mm
Tension range	5-15N
Measuring accuracy	±0.05%
Max. speed	4 m/s
Body material	Aluminum
Cable material	316L Stainless steel with plastic coating
Operating temperature	-45°C.....+105°C
Protection class	IP54/IP65
Life time	5 million times
Signal option for Absolute encoder	
Output signal	4-20mA , 0-5V , 0-10V , 0-20mA , SSI , Parallel , RS485 , MODBUS-RTU , Profibus-DP , CANopen
Operating voltage	10....30Vdc or 5Vdc
Signal adjustment	Corresponding value of each turn / Direction/ Preset position/ External zero position/ Total range adjustable,
Protection class	IP65(housing IP67/ Shaft IP65)
Signal option for Incremental encoder	
Output mode	HTL/push-pull output, TTL/RS422, voltage output, current output
Output signal	A B , A B Z or A B Z+ A/ B/ Z/
Operating voltage	5±0.25 VDC or 10....30VDC
Number of pulse	1~5000 pulses (5000~100000 with PLC)
Connection	Cable or Connector

Dimension Drawing:



Order Reference

RNLS200	-2000	B	L	E	C01	D
Model	Measuring range	Encoder type	Output signal	Operating voltage	Connection	Special customization
RNLS200	1500 : 1500mm 2000 : 2000mm	A : Incremental pulse output B : Absolute signal output	FB : Pulse signal L: 4-20mA 0L: 0-20mA V: 0-5V 0V: 0-10V RS: RS485 R2: RS422 RM: Modbus SG: SSI Gray Code SB: SSI binary PG: Parallel Gray code PB: Parallel binary CA: CANopen DP: Profibus-DP NT: DeviceNet	E : 10-30VDC A : 5VDC	C01: Side cable C02: Rear cable C03: Side connector C04: Rear connector	D : extension cable E : mounting plate F1 : with cover